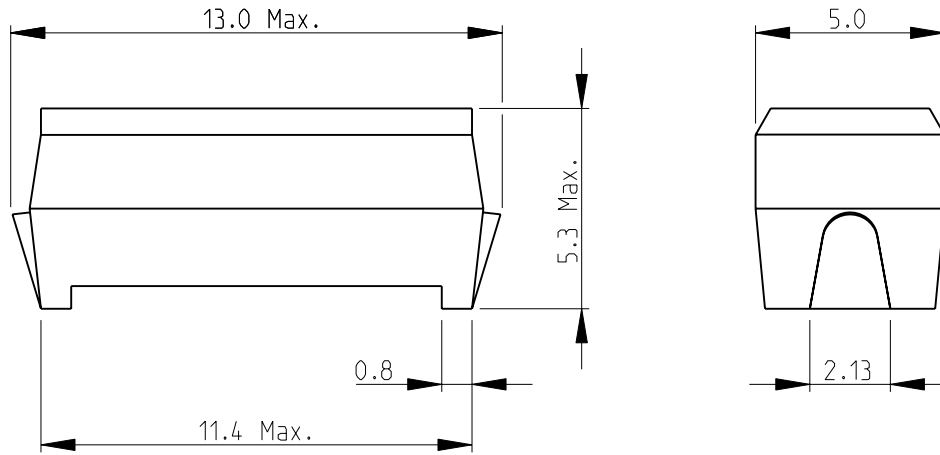


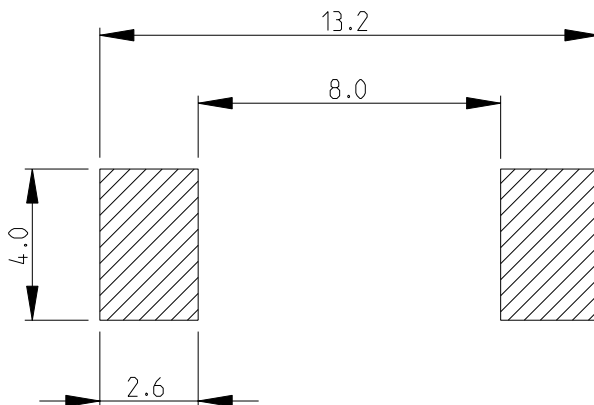
LOC	DIST	REVISIONS			
P	LTR	DESCRIPTION	DATE	DWN	APVD
E	B	BA1	REVISED PER ECO-11-005150	28MAR2011	RK HMR



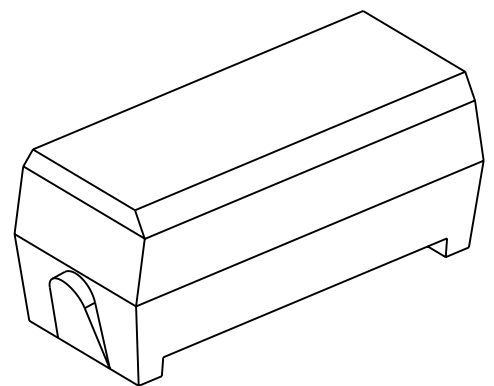
1 PACKAGING: SUPPLIED TAPED AND REELED ON 13" REELS IN QUANTITIES OF 1500 PIECES

2 FOR FURTHER INFORMATION SEE DATA SHEET FOR 3615 SERIES-HIGH CURRENT INDUCTOR SMD

RECOMMENDED LAND PATTERN



RoHS Compliant



2008


RELEASED FOR PUBLICATION

ALL RIGHTS RESERVED.

THIS DRAWING IS UNPUBLISHED.

BY -

© COPYRIGHT 2008

DIMENSIONS: mm	DWN	13-NOV-08	MATERIAL	FINISH		
	SUBHASH.M		-	-		
TOLERANCES UNLESS OTHERWISE SPECIFIED:	CHK	13-NOV-08	 TE Connectivity			
	PRAKASH.S					
0 PLC ±0.2 1 PLC ±0.1 2 PLC ± 3 PLC ± 4 PLC ± ANGLES ±5°	APVD	13-NOV-08	NAME HIGH CURRENT INDUCTOR SMD SERIES 3615			
	STEPHEN.P					
	PRODUCT SPEC		SIZE	CAGE CODE	DRAWING NO	RESTRICTED TO
			A 4	00779	©- 1624097	-
	APPLICATION SPEC		WEIGHT		0.7g max.	
			CUSTOMER DRAWING		SCALE	SHEET
					5:1	1 OF 1
						REV
						BA1